

MANUAL TRANSAXLE

CONTENTS

MANUAL TRANSAXLE <AWD>	13	MANUAL TRANSAXLE <FWD>	2
ON-VEHICLE SERVICE	15	ON-VEHICLE SERVICE	4
Drive Shaft Oil Seals Replacement	15	Drive Shaft Oil Seals Replacement	5
Transfer Oil Level Check	15	Speedometer Cable Replacement	4
Transfer Oil Replacement	15	Transmission Oil Level Check	4
Transfer Oil Seal Replacement	16	Transmission Oil Replacement	4
Transmission Oil Level Check	15	SHIFT LEVER ASSEMBLY	8
Transmission Oil Replacement	15	SPECIAL TOOLS	3
SHIFT LEVER ASSEMBLY	16	SPECIFICATIONS	2
SPECIAL TOOLS	14	General Specifications	2
SPECIFICATIONS	13	Lubricants	2
General Specifications	13	Sealants and Adhesives	2
Lubricants	13	TRANSAXLE ASSEMBLY	9
TRANSAXLE ASSEMBLY	19, 23	TRANSAXLE CONTROL*	6
TRANSAXLE CONTROL*	17	TROUBLESHOOTING	3
TRANSFER ASSEMBLY	22		

WARNINGS REGARDING SERVICING OF SUPPLEMENTAL RESTRAINT SYSTEM (SRS) EQUIPPED VEHICLES

WARNING!

- (1) Improper service or maintenance of any component of the SRS, or any SRS-related component, can lead to personal injury or death to service personnel (from inadvertent firing of the air bag) or to the driver and passenger (from rendering the SRS inoperative).
- (2) Service or maintenance of any SRS component or SK-related component must be performed only at an authorized MITSUBISHI dealer.
- (3) MITSUBISHI dealer personnel must thoroughly review this manual, and especially its GROUP 52B -Supplemental Restraint System (SRS) and GROUP 00 -Maintenance Service, before beginning any service or maintenance of any component of the SRS or any SRS-related component.

NOTE

The SRS includes the following components: impact sensors, SRS diagnosis unit, SRS warning light, air bag module, clock spring and interconnecting wiring. Other SRS-related components (that may have to be removed/installed in connection with SRS service or maintenance) are indicated in the table of contents by an asterisk (*).

MANUAL TRANSAXLE <FWD>

SPECIFICATIONS

GENERAL SPECIFICATIONS

Items		1992 model	Up to 1994 model	From 1995 model
Model		F5M33-2-SNZR	F5M33-2-SNQR	F5M33-2-SUQR
Applicable engine		6G72-DOHC MPI	6G72-DOHC MPI	6G72-DOHC MPI
Type		5-speed transaxle floor shift	5-speed transaxle floor shift	5-speed transaxle floor shift
Gear ratio	1st	3.090	3.090	3.090
	2nd	1.833	1.833	1.833
	3rd	1.217	1.217	1.217
	4th	0.888	0.888	0.888
	5th	0.741	0.741	0.741
	Reverse	3.166	3.166	3.166
Final reduction ratio		4.153	4.153	4.153
Speedometer gear ratio (driven/drive)		28/36	28/36	28/36
Oil quantity dm ³ (qts.)		2.0 (2.1)	2.0 (2.1)	2.0 (2.1)

LUBRICANTS

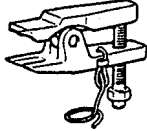
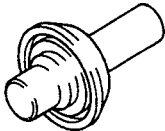
Items	Specified lubricant	Quantity dm ³ (qts)
Manual transmission oil	Hypoid gear oil, SAE 75W-90 or 75W-85W conforming to API classification GL-4	2.0 (2.1)
Drive shaft oil seal lip		As required

SEALANTS AND ADHESIVES

Items	Specified sealants and adhesives
Transaxle case – clutch housing mating surfaces	Mitsubishi genuine part No. 997740 or equivalent
Transaxle case – rear cover mating surfaces	
Differential drive gear bolts	3M STUD Locking part No. 4170 or equivalent
Bearing retainer screw (flush head screw)	
Reverse brake cone mounting screw bolts	
Air breather	3M ATD part No. 8001 or equivalent

TSB Revision

SPECIAL TOOLS

Tool	Tool number and name	Supersession	Application
	MB991113 Steering linkage puller	MB991113-01	<ul style="list-style-type: none"> • Disconnection of the coupling- of the knuckle and lower arm ball joint • Disconnection of the coupling of the knuckle and tie-rod end ball joint
	MD998325 Differential oil seal installer	MD998325-01	Installation of differential oil seal

TROUBLESHOOTING

Symptom	Probable cause	Remedy
Vibration, noise	a. Loose or damaged transaxle and engine mounts	a. Tighten or replace mounts
	b. Inadequate shaft end play	b. Correct end play
	c. Worn or damaged gears	c. Replace gears
	d. Use of inadequate grade of oil	d. Replace with specified oil
	e. Low oil level	e. Replenish
	f. Inadequate engine idle speed	f. Adjust idle speed
Oil leakage	a. Broken or damaged, oil seal or O-ring	a. Replace oil seal or O-ring
Hard shift	a. Faulty control cable	a. Replace control cable
	b. Poor contact or wear of synchronizer ring and gear cone	b. Correct or replace
	c. Weakened synchronizer spring	c. Replace synchronizer spring
	d. Use of inadequate grade of oil	d. Replace with specified oil
Jumps out of gear	a. Worn gear shift fork or broken poppet spring	a. Replace shift fork or poppet spring
	b. Synchronizer hub to sleeve spline clearance too large	b. Replace synchronizer hub and Sleeve

TSB Revision

ON-VEHICLE SERVICE

TRANSMISSION OIL LEVEL CHECK

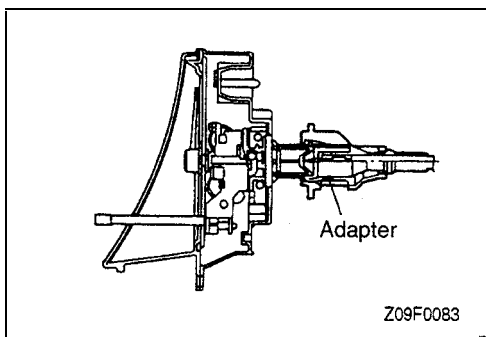
Refer to GROUP 00 – Maintenance Service.

TRANSMISSION OIL REPLACEMENT

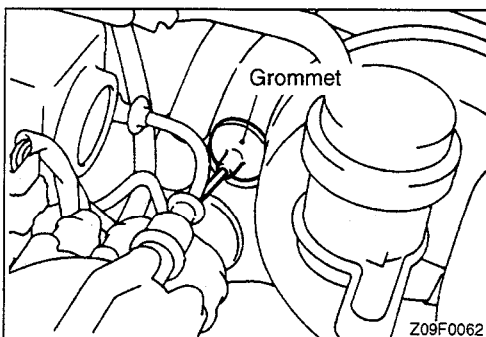
Refer to GROUP 00 – Maintenance Service.

SPEEDOMETER CABLE REPLACEMENT <Up to 1993 models>

1. Correctly insert the adapter into the instrument panel, and fasten the new speedometer cable.



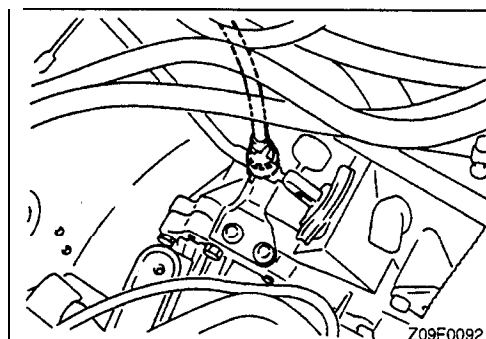
2. Install the grommet so that, as shown in the illustration, the cable attachment part and the projecting part are horizontal.



Caution

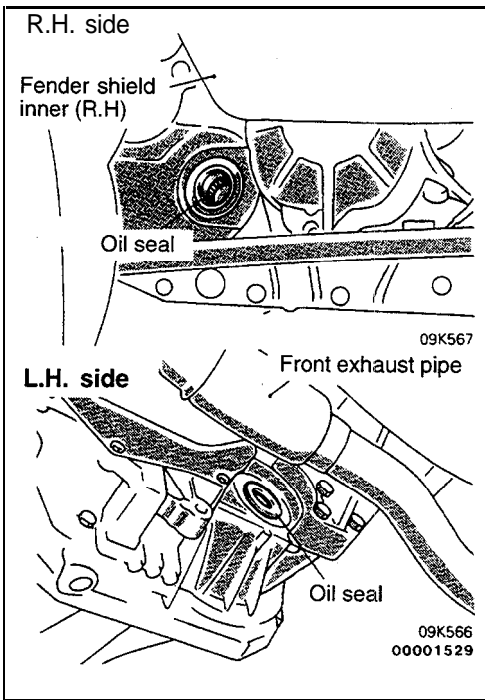
The cable arrangement should be made so that the radius of cable bends is 150 mm (5.9 in.) or more.

3. At the transaxle end of the speedometer cable, the key joint should be inserted into the transaxle, and the nut should be securely tightened.



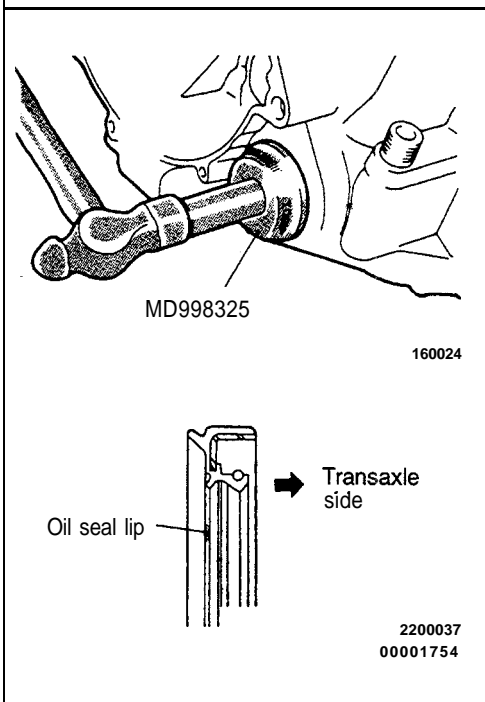
Caution

If the cable is not correctly and securely connected, it may cause incorrect indication by the speedometer, or abnormal noise. Be sure to connect it correctly.



DRIVE SHAFT OIL SEALS REPLACEMENT

- (1) Disconnect the drive shaft from the transaxle.
(Refer to GROUP 26 – Drive Shaft.)
- (2) Using a flat-tip (-) screwdriver, remove the oil seal.



- (3) Using the special tool, tap the drive shaft oil seal into the transaxle.
The drive shaft oil seal must be installed in the direction shown.
- (4) Apply a coating of the transmission oil to the lip of the oil seal.

Transmission oil:

Hypoid gear oil, SAE 75W-90 or 75W-85W conforming to API classification GL-4

TRANSAXLE CONTROL

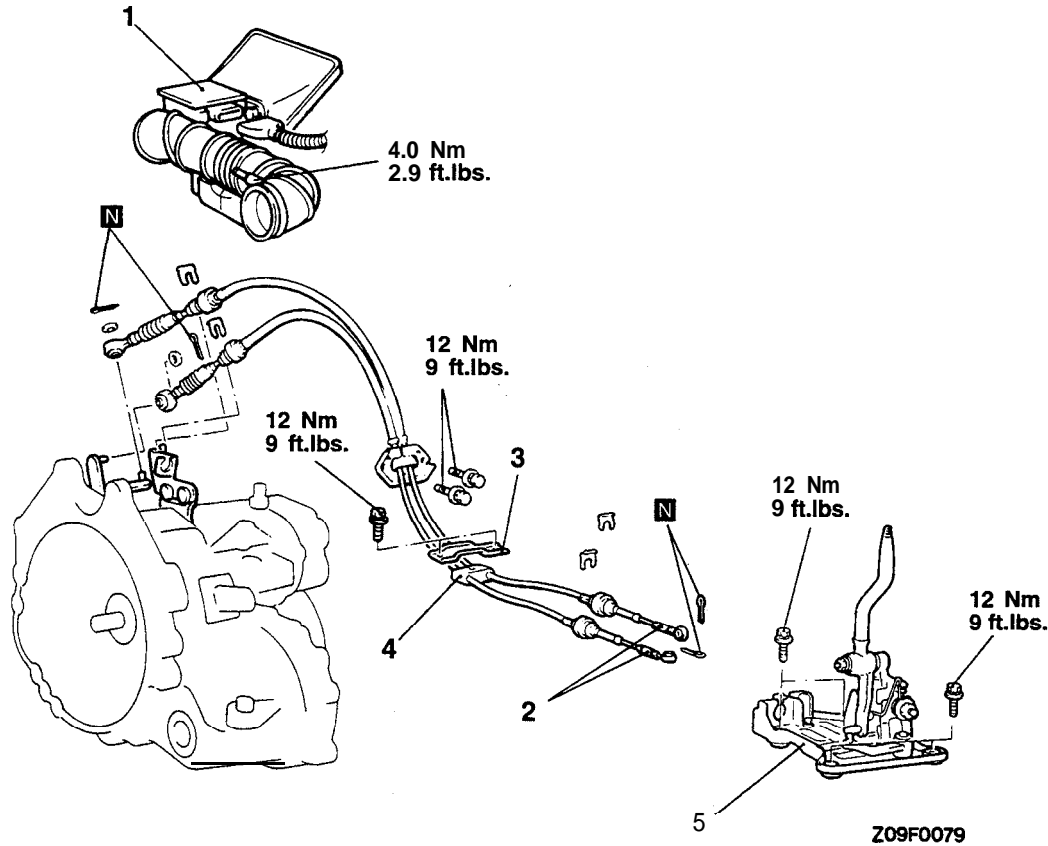
REMOVAL AND INSTALLATION

Pre-removal and Post-installation Operation

- Front Console Assembly Removal and Installation (Refer to GROUP 52A – Floor Console.)

CAUTION: SRS

When removing and installing the front console assembly, don't allow any impact or shock to the SRS diagnosis unit.



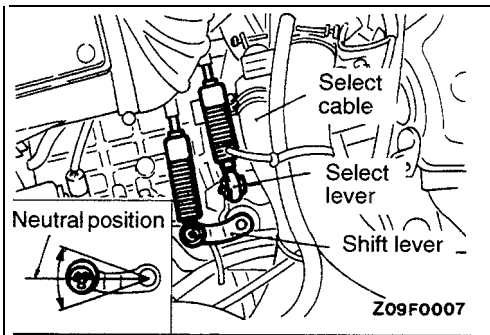
Transaxle control cable assembly removal steps

- ▶◀
1. Air cleaner, Air intake hose
 2. Transaxle control cable assembly connection (Shift lever assembly side)
 3. Retainer
 4. Transaxle control cable assembly

Shift lever assembly removal steps

- ▶◀
1. Air cleaner, Air intake hose
 2. Transaxle control cable assembly connection (Shift lever assembly side)
 5. Shift lever assembly

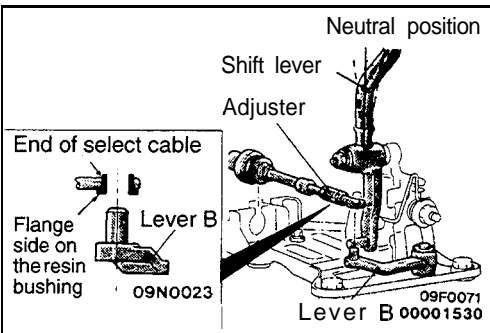
TSB Revision

**INSTALLATION SERVICE POINTS****▶◀ TRANSAXLE CONTROL CABLE ASSEMBLY CONNECTION (SHIFT LEVER ASSEMBLY SIDE)**

- (1) Move the transaxle shift lever to the neutral position.

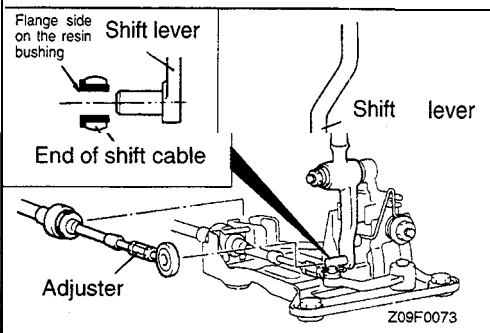
NOTE

The select lever will be set to the neutral position when the transaxle shift lever is moved to the neutral position.



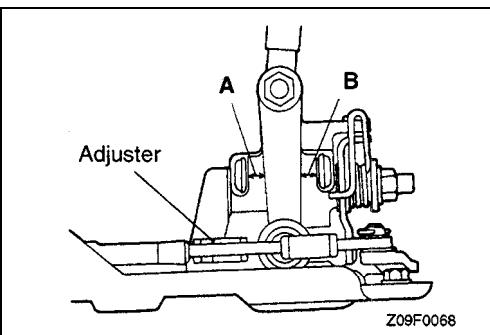
- (2) With the shift lever on the passenger compartment side in the neutral position, turn adjuster on select cable so that select cable end is positioned as shown with reference to lever B of shift lever.

- (3) Install the select cable so that the flange side of the plastic bushing at the end of select cable is on the end face side of lever B.



- (4) Turn adjuster on shift cable so that shift cable end is positioned as shown with reference to shift lever on the passenger compartment side.

- (5) Install the shift cable so that the flange side of the plastic bushing at the end of shift cable is on the split pin side.



- (6) Connect the shift cable, then turn adjuster on shift cable so that dimension A equals dimension B.

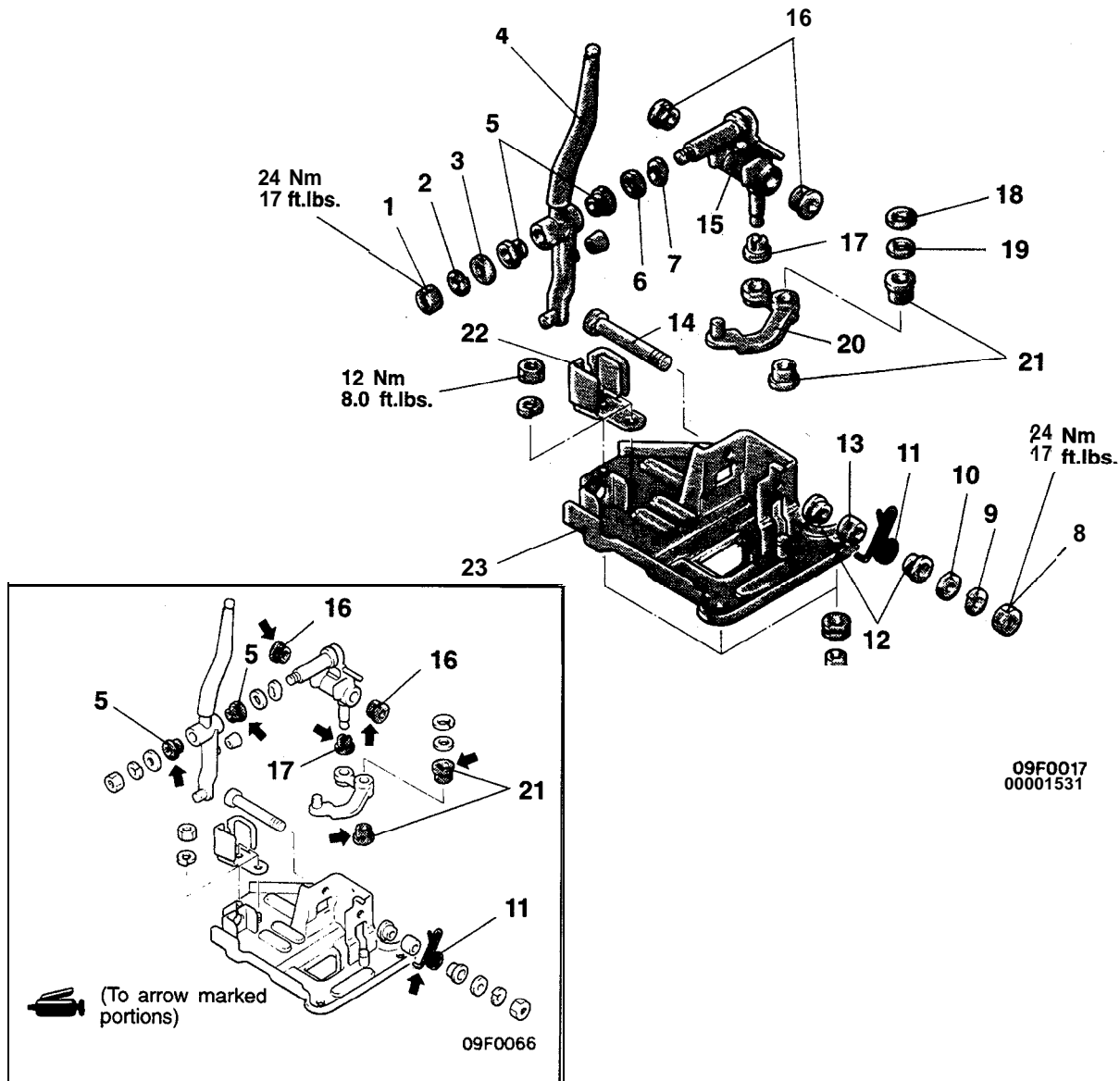
- (7) Move the shift lever to each position and check that the shifting is smooth.

INSPECTION

- Check the transaxle control cable assembly for function and for damage.
- Check the boot for damage.
- Check each bushing for wear or abrasion, sticking, impeded action, and damage.

SHIFT LEVER ASSEMBLY

DISASSEMBLY AND REASSEMBLY



Disassembly steps

1. Nut
2. Spring washer
3. Plain washer
4. Shift lever
5. Bushing
6. Plain washer
7. Wave washer
8. Nut
9. Spring washer
10. Plain washer
11. Return spring
12. Bushing

13. Pipe
14. Bolt
15. Lever (A)
16. Bushing
17. Bushing
18. Snap ring
19. Washer
20. Lever(B)
21. Bushing
22. Cable bracket
23. Bracket assembly

TSB Revision

TRANSAXLE ASSEMBLY

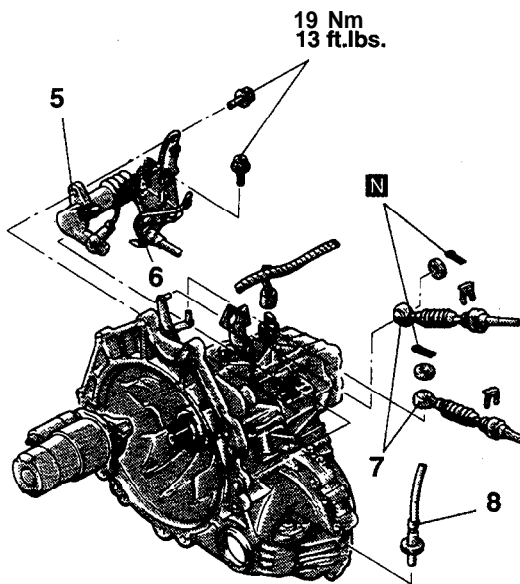
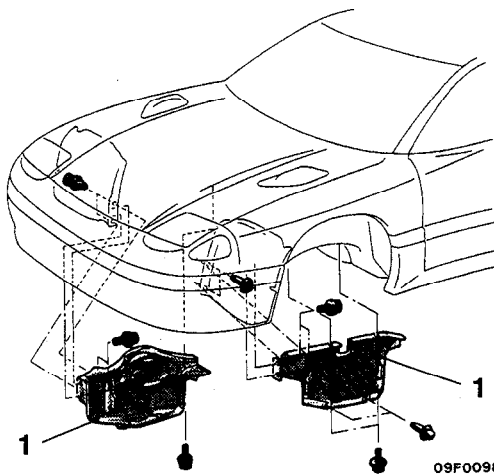
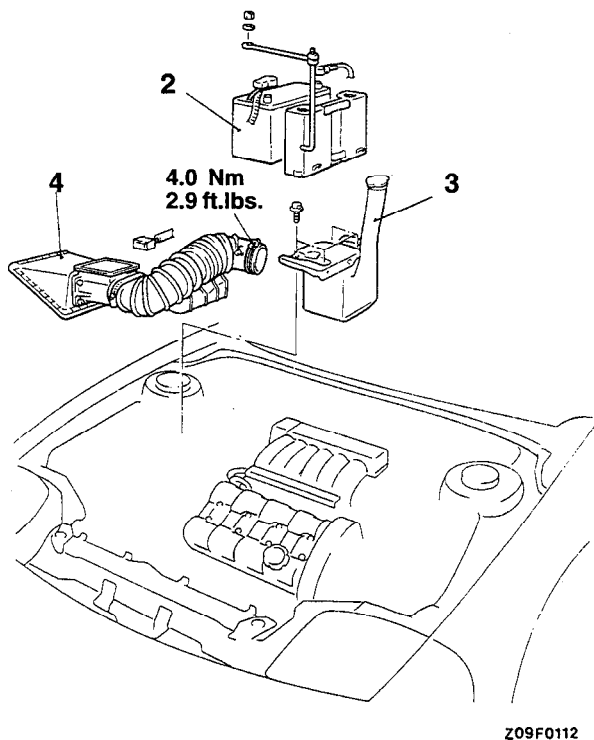
REMOVAL AND INSTALLATION

Pre-removal Operation

- Transmission Oil Draining (Refer to p.22-4.)
- Front Under Cover Removal (Refer to GROUP 51 – Front Bumper.)

Post-installation Operation

- Front Under Cover Installation (Refer to GROUP 51 – Front Bumper.)
- Transmission Oil Supplying (Refer to P.22-4.)
- Engine Coolant Filling (Refer to GROUP 14– Service Adjustment Procedures.)
- Shift Lever at Each Position Checking Operation
- Meters and Gauges Checking Operation



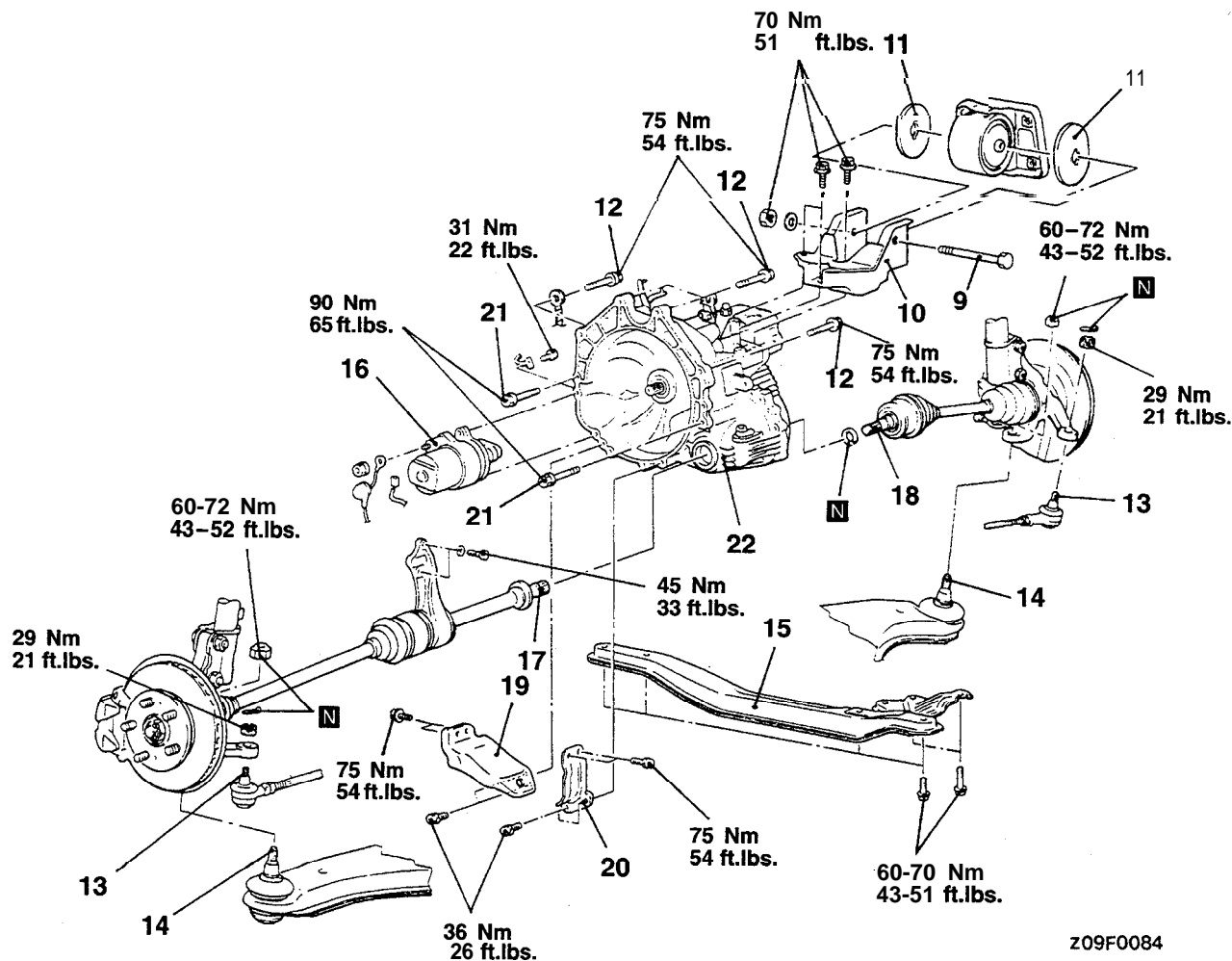
Removal steps

1. Side under cover
2. Battery
3. Battery seat, washer tank
4. Air cleaner cover, air intake hose
5. Clutch release cylinder connection



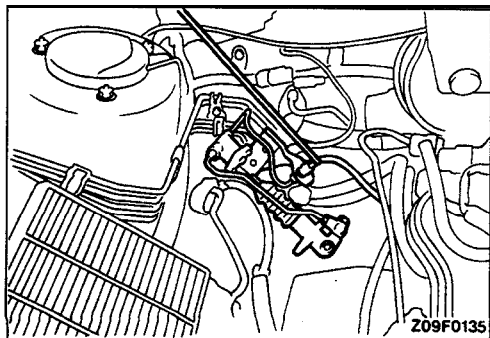
6. Clutch tube bracket and clutch damper assembly connection
7. Transaxle control cable connection
8. Speedometer cable <Up to 1993 models> or speedometer connector <From 1994 models> connection

TSB Revision



Z09F0084

- | | | | |
|-----|---|---------|---|
| ◀B▶ | 9. Transaxle mount connection | ◀E▶ | 17. Drive shaft (Left side), Inner shaft assembly |
| ▶B◀ | 10. Transaxle mount bracket | ◀F▶ ▶A◀ | 18. Drive shaft (Right side) |
| | 11. Mounting stopper | | 19. Transaxle stay (Front bank side) |
| | 12. Transaxle assembly upper part coupling bolt | ◀G▶ | 20. Transaxle stay (Rear bank side) |
| ◀C▶ | 13. Tie rod end connection | ◀G▶ | 21. Transaxle assembly lower part coupling bolt |
| ◀D▶ | 14. Lower arm ball joint connection | | 22. Transaxle assembly |
| | 15. Right member | | |
| | 16. Starter | | |



Z09F0135

REMOVAL SERVICE POINTS

◀A▶ CLUTCH TUBE BRACKET AND CLUTCH DAMPER ASSEMBLY DISCONNECTION

Remove the clutch release cylinder and clutch oil line bracket installation bolt, and then secure at the body side without disconnecting the oil line coupling.

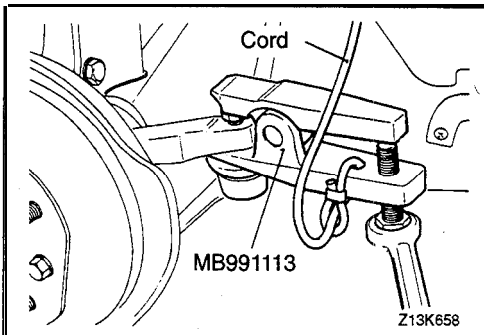
TSB Revision

◀B▶ TRANSAXLE MOUNT DISCONNECTION

Raise transaxle assembly with a jack up to a level where mount bracket no longer receives its weight and remove transaxle mount insulator bolt.

Caution

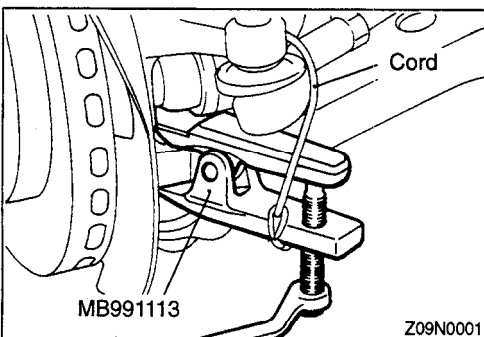
Support the transaxle assembly with the jack so that no localized force is applied to the assembly.

**◀C▶ TIE ROD END DISCONNECTION**

Using the special tool, disconnect the tie rod end from the knuckle.

Caution

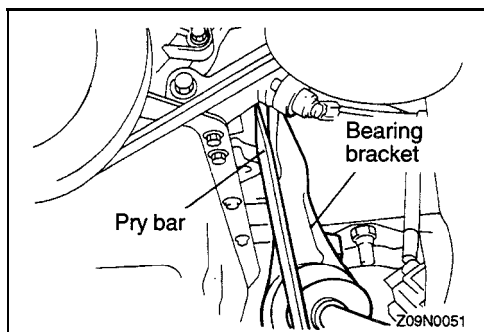
1. Be sure to tie the cord of the special tool to the nearby part.
2. Loosen the nut but do not remove it.

**◀D▶ LOWER ARM BALL JOINT DISCONNECTION**

Using the special tool, disconnect the lower arm ball joint from the knuckle.

Caution

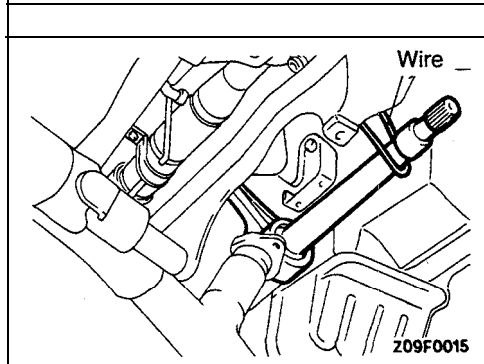
1. Be sure to tie the cord of the special tool to the nearby part.
2. Loosen the nut but do not remove it.

**◀E▶ DRIVE SHAFT (LEFT SIDE), INNER SHAFT ASSEMBLY REMOVAL**

- (1) Remove the bearing bracket mounting bolts and insert the pry bar between the bearing bracket and the cylinder block.
- (2) Remove drive shaft (left side) and inner shaft assembly from transaxle assembly.

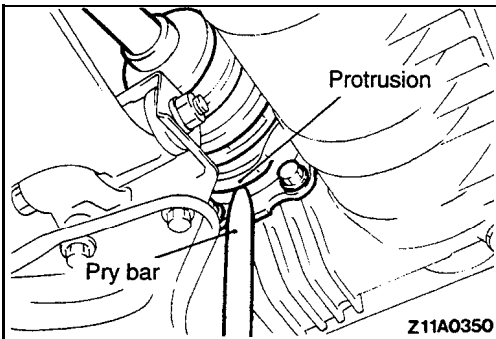
NOTE

Remove drive shaft and inner shaft assembly as an assembly together with hub, knuckle, and other parts.



- (3) Suspend the removed drive shaft (left side) and inner shaft assembly with wire or something similar to prevent it from sharply bending or turning at each joint.

TSB Revision



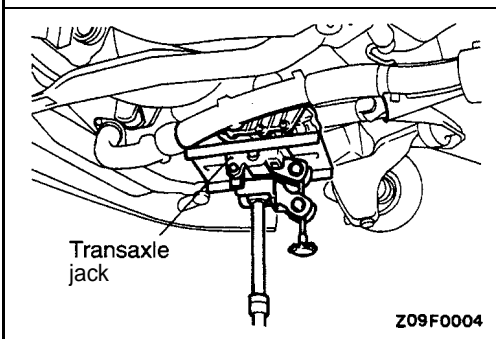
◀F▶ DRIVE SHAFT (RIGHT SIDE) REMOVAL

- (1) To remove drive shaft (right side) from transaxle assembly, apply pry bar to the protrusion.

NOTE

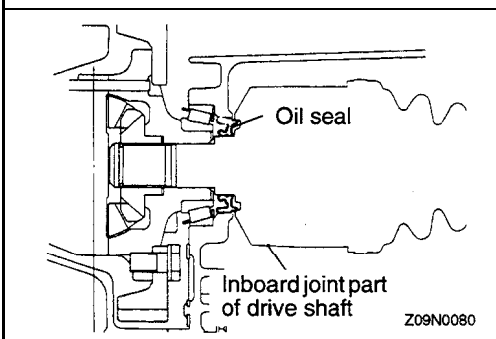
Remove drive shaft (right side) as an assembly together with hub, knuckle, and other parts.

- (2) Suspend the removed drive shaft (right side) with wire or something similar to prevent it from sharply bending or turning at each joint.



◀G▶ TRANSAXLE ASSEMBLY LOWER PART COUPLING BOLT / TRANSAXLE ASSEMBLY REMOVAL

Support transaxle assembly with a transaxle jack and remove transaxle assembly lower part coupling bolt; then, lower transaxle assembly.



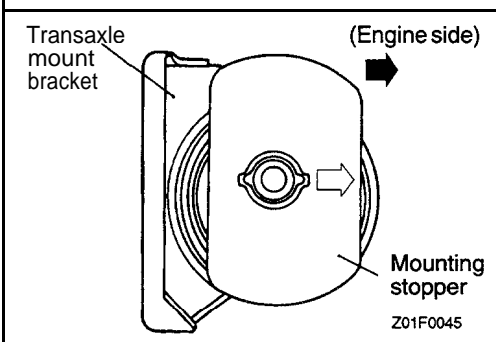
INSTALLATION SERVICE POINTS

▶A◀ DRIVE SHAFT (RIGHT SIDE) INSTALLATION

Provisionally install the drive shaft (right side) so that the inboard joint part of the drive shaft (right side) is straight, and not bent relative to the transaxle.

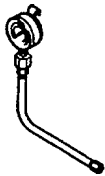
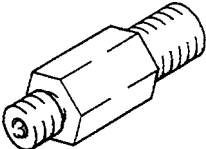
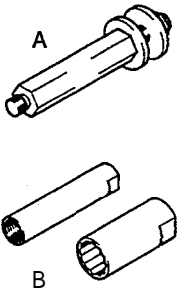
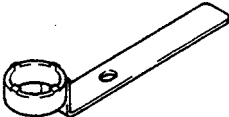
Caution

Care must be taken to ensure that the oil seal lip part of the transaxle is not damaged by the serrated part of the drive shaft (right side).




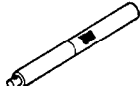
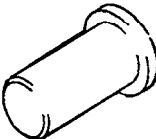
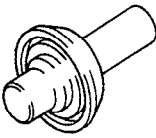
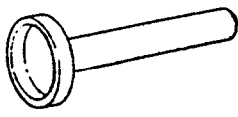


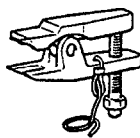
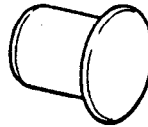
▶B◀ MOUNTING STOPPER INSTALLATION

Install mounting stopper in the direction shown.

Tool	Tool number and name	Supersession	Application
	MD998330 Oil pressure gauge (30 kg/cm ²) MD999563 Oil pressure gauge (10 kg/cm ²)	MD998330-01	Measuring oil pressure
	MD998332 Adapter	MD998332-01	Connection of the oil pressure gauge
	A: MD99891 5 Kickdown servo wrench adapter B: MD99891 6 Kickdown servo adjust wrench set	MD99891 6-01 MD99891 6-1-01 MD99891 6-2-01 MD99891 6-3-01	Adjustment of kickdown servo
	MD99891 8 Kickdown servo wrench		Adjustment of kickdown servo

TSB Revision

SPECIAL TOOLS

Tool	Tool number and name	Supersession	Application
	MB990930 Installer adjuster		Installation of input shaft rear seal cap
	MB990938 Installer bar	MB990938-01	Use with MB990930
	MD998304 Oil seal installer	MD998304-01	Installation of transfer extension housing oil seal
	MD998325 Differential oil seal installer	MD998325-01	Installation of differential oil seal
	MD998803 Differential oil seal installer		Installation of differential oil seal
	MD998812 Installer cap		Use with installer adapter
	MD998824 Installer adapter (50)		Installation of transfer case oil seal
	MB991113 Steering linkage puller	MB991113-01	<ul style="list-style-type: none"> • Disconnection of the coupling of the knuckle and lower arm ball joint • Disconnection of the coupling of the knuckle and tie-rod end ball joint
	MB991193 Plug		Prevention of transfer oil discharge and foreign object entry

TSB Revision

ON-VEHICLE SERVICE

TRANSMISSION OIL LEVEL CHECK

Refer to GROUP 00 – Maintenance Service.

TRANSMISSION OIL REPLACEMENT

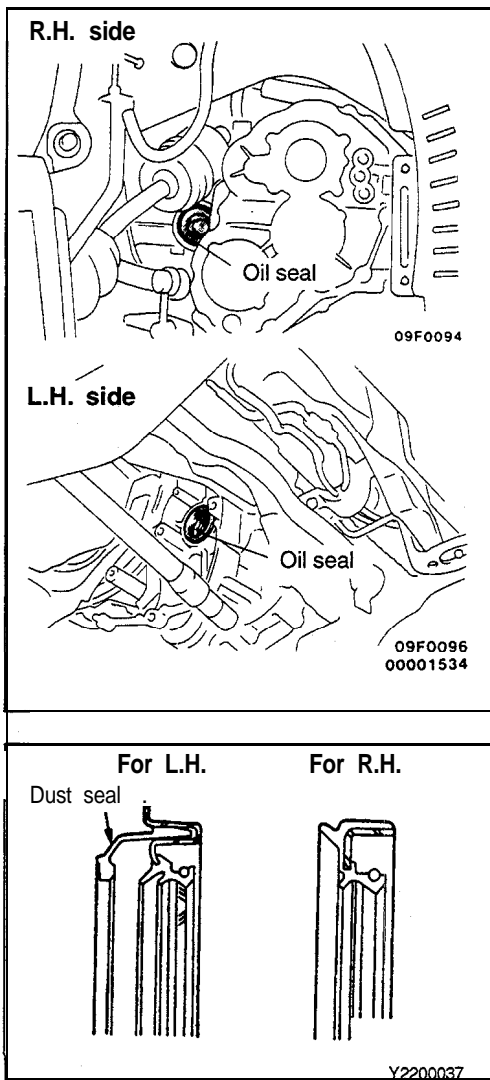
Refer to GROUP 00 – Maintenance Service.

TRANSFER OIL LEVEL CHECK

Refer to GROUP 00 – Maintenance Service.

TRANSFER OIL REPLACEMENT

Refer to GROUP 00 – Maintenance Service.

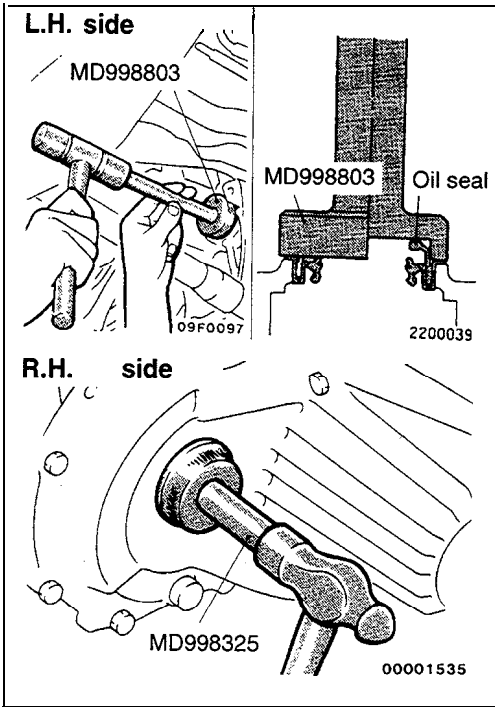


DRIVE SHAFT OIL SEALS REPLACEMENT

- (1) Disconnect the drive shaft from the transaxle.
(Refer to GROUP 26 – Drive Shaft.)
- (2) Remove the transfer assembly.
- (3) Using a flat-tip (–) screwdriver, remove the oil seal.

- (4) Install the oil seals using the following procedure:
Using the special tool, tap the oil seal into the transaxle.
Note that there are two types of oil seals, one for R.H. and the other for L.H., and the shape of each type is different, as shown.

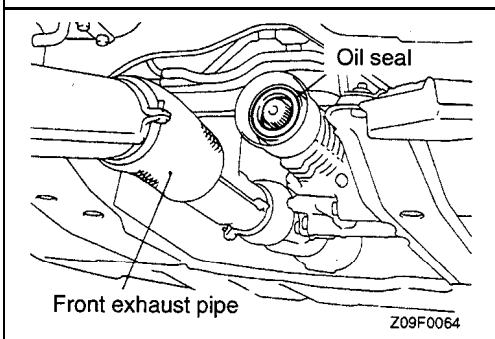
TSB Revision



- (5) Drive shaft oil seal must be installed in the direction shown.
- (6) Apply a coating of the transmission oil to the lip of the oil seal.

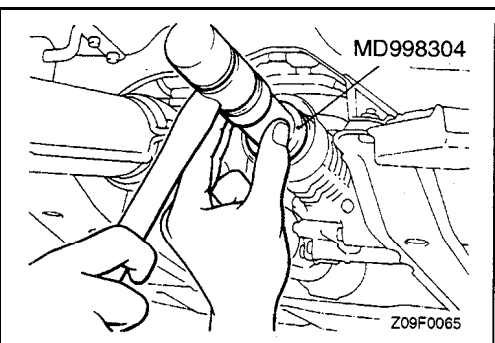
Transmission oil:

Hypoid gear oil, SAE 75W-90 or 75W-85W conforming to API classification GL-4



TRANSFER OIL SEAL REPLACEMENT

- (1) Pull out the propeller shaft from the transfer. (Refer to GROUP 25 – Propeller Shaft.)
- (2) Using a flat-tip (–) screwdriver, remove the oil seal.



- (3) Using the special tool, tap the drive shaft oil seal into the transfer.
- (4) Apply a coating of the transmission oil to the lip of the oil seal.

Transmission oil:

Hypoid gear oil, SAE 75W-90 or 75W-85W conforming to API classification GL-4

SHIFT LEVER ASSEMBLY

Refer to P.22-8.

TRANSAXLE CONTROL

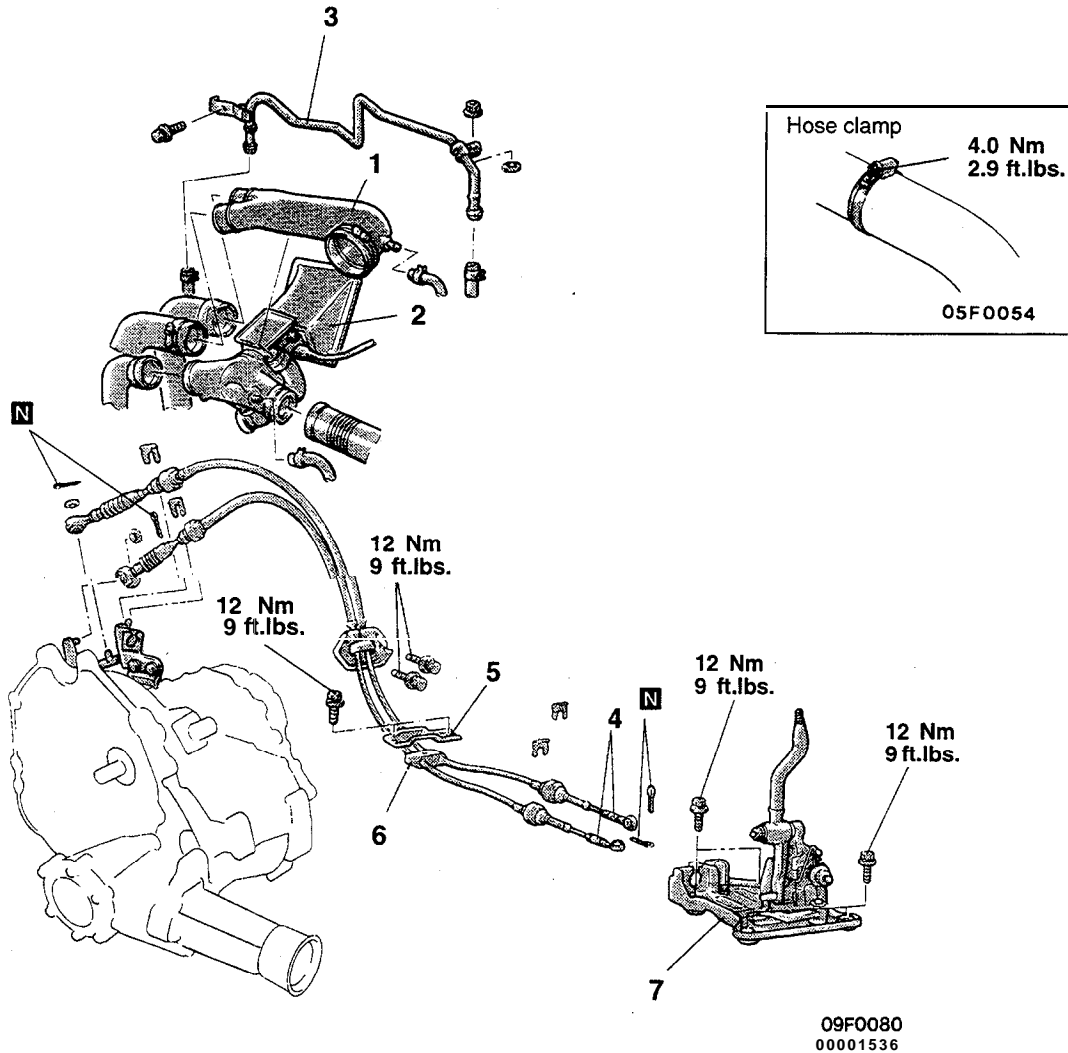
REMOVAL AND INSTALLATION

Pre-removal and Post-installation Operation

- Front Console Assembly Removal and Installation (Refer to GROUP 52A – Floor Console.)

CAUTION: SRS

When removing and installing the front console assembly, don't allow any impact or shock to the SRS diagnosis unit.



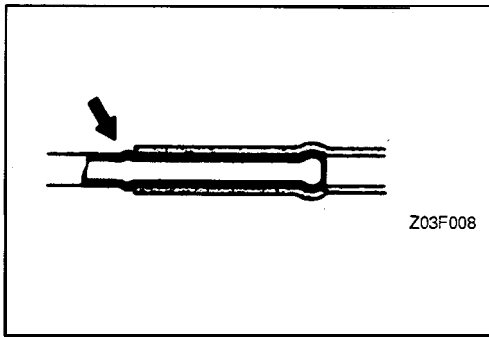
Transaxle control cable assembly removal steps

- D** 1. Air hose A
- C** 2. Air cleaner cover, Air intake hose A
- B** 3. Vacuum pipe
- A** 4. Transaxle control cable assembly connection (Shift lever assembly side)
- 5. Retainer
- 6. Transaxle control cable assembly

Shift lever assembly removal steps

- D** 1. Air hose A
- C** 2. Air cleaner cover, Air intake hose A
- B** 3. Vacuum pipe
- A** 4. Transaxle control cable assembly connection (Shift lever assembly side)
- 7. Shift lever assembly

TSB Revision

**INSTALLATION SERVICE POINTS****▶A◀ TRANSAXLE CONTROL CABLE ASSEMBLY CONNECTION (SHIFT LEVER ASSEMBLY SIDE)**

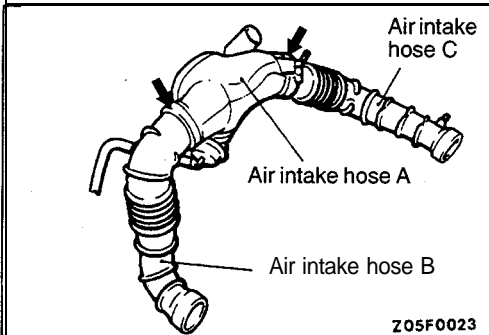
Refer to P.22-7.

▶B◀ VACUUM PIPE INSTALLATION

If the vacuum pipe has a stepped part, connect the vacuum hose to the pipe securely, up to the stepped part, as shown in the figure.

▶C◀ AIR CLEANER COVER, AIR INTAKE HOSE A CONNECTION

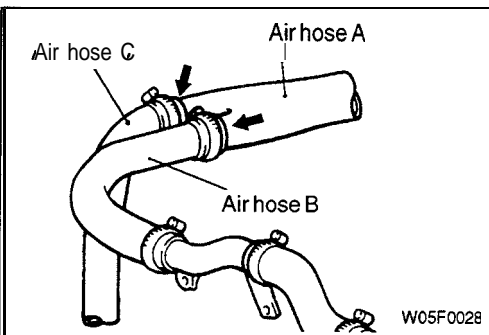
Align slots indicated by arrows in air intake hose A with Δ markings on air intake hoses B and C; then, insert hoses B and C all the way into air intake hose A.

**▶D◀ AIR HOSE A CONNECTION**

Connect the hoses ensuring that paint marks are aligned with projections. Insert air hoses B and C into air hose A all the way, or up to the step in hose A.

Caution

Be careful not to allow any foreign matter to get into the hoses, pipes, or the intercooler itself.

**INSPECTION**

- Check the transaxle control cable assembly for function and for damage.
- Check the boot for damage.
- Check each bushing for wear or abrasion, sticking, impeded action, and damage.

TRANSAXLE ASSEMBLY

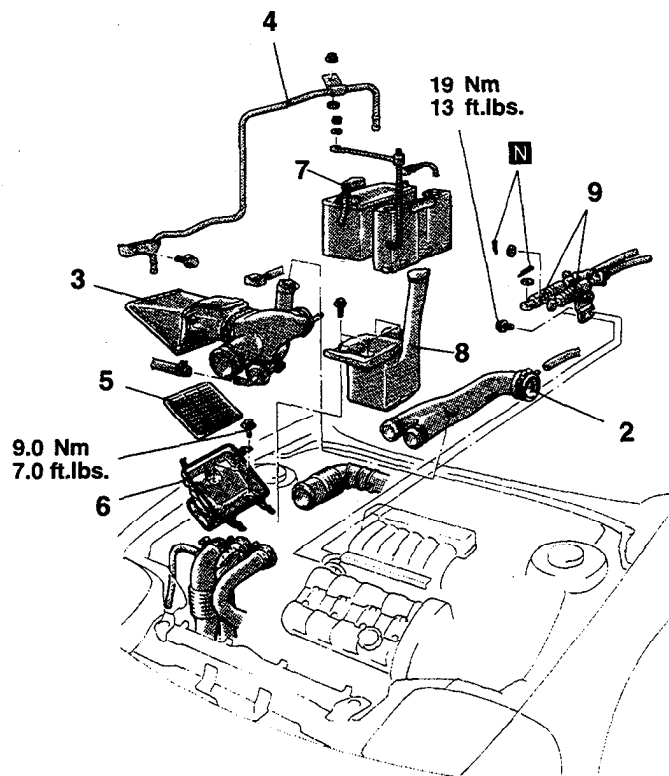
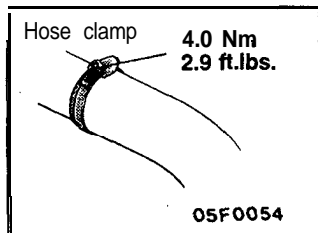
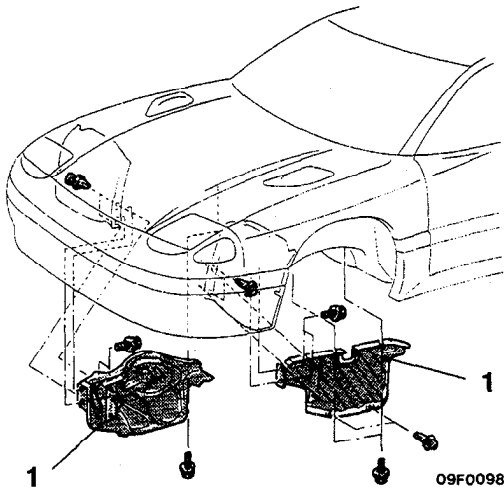
REMOVAL AND INSTALLATION

Pre-removal Operation

- Transmission Oil Draining (Refer to P.22-15.)
- Transfer Assembly Removal (Refer to P.22-22.)

Post-installation Operation

- Transfer Assembly installation (Refer to P.22-22.)
- Transmission Oil Supplying (Refer to P.22-15.)
- Shift Lever at Each Position Checking Operation
- Meters and Gauges Checking the Operation

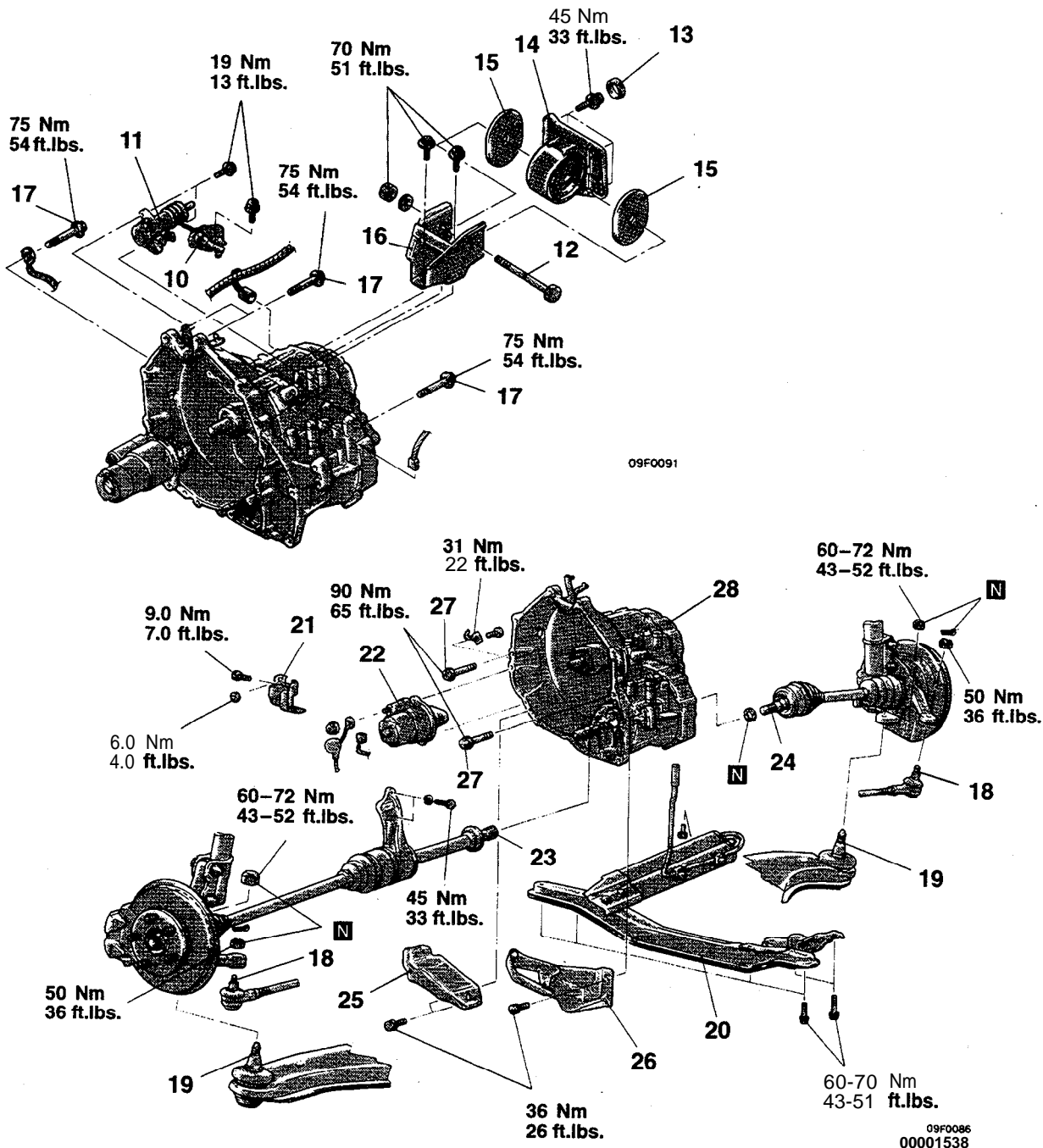


09F0110
00001537

Removal steps

1. Side under cover
- ▶D▶ 2. Air hose A
- ▶C▶ 3. Air cleaner cover, Air intake hose A
- ▶B▶ 4. Vacuum pipe
5. Air cleaner element
6. Air cleaner body
7. Battery
8. Battery seat, Washer tank
9. Transaxle control cable connection

TSB Revision



- 10. Clutch tube bracket connection
- 11. Clutch release cylinder connection
- 12. Transaxle mount connection
- 13. Plug
- 14. Transaxle mount bracket (Body side)
- ▶A◀ 15. Mounting stopper
- ▶A◀ 16. Transaxle mount bracket (Transaxle side)
- 17. Transaxle assembly lower part coupling bolt
- ◀B▶ 18. Tie rod end connection
- ◀B▶ 19. Lower arm ball joint connection
- 20. Right member
- 21. Starter cover
- 22. Starter
- ◀C▶ 23. Drive shaft (Left side), Inner shaft assembly
- ◀C▶▶A◀ 24. Drive shaft (Right side)
- 25. Transaxle stay connection (Front bank side)
- 26. Transaxle stay connection (Rear bank side)
- ◀C▶ 27. Transaxle assembly lower part coupling bolt
- ◀C▶ 28. Transaxle assembly

TSB Revision

REMOVAL SERVICE POINTS**◀A▶ CLUTCH RELEASE CYLINDER / TRANSAXLE MOUNT CONNECTION**

Refer to P.22-10.

◀B▶ TIE ROD END / LOWER ARM BALL JOINT CONNECTION

Refer to P.22-11.

◀C▶ DRIVE SHAFT (LEFT SIDE), INNER SHAFT ASSEMBLY / DRIVE SHAFT (RIGHT SIDE) / TRANSAXLE ASSEMBLY LOWER COUPLING BOLT / TRANSAXLE ASSEMBLY REMOVAL

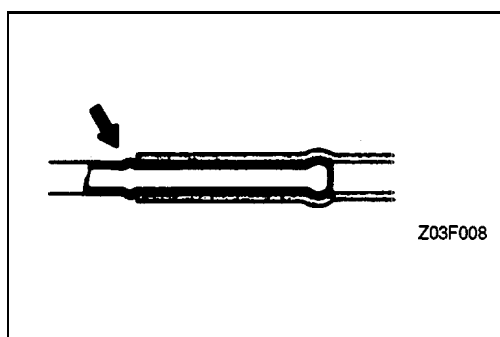
Refer to P.22-11.

INSTALLATION SERVICE POINTS**▶A◀ DRIVE SHAFT (RIGHT SIDE) / MOUNTING STOPPER INSTALLATION**

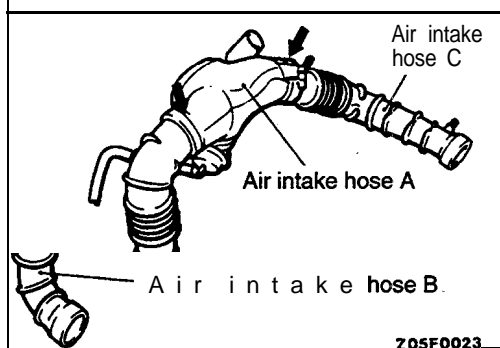
Refer to P.22-12.

▶B◀ VACUUM PIPE INSTALLATION

If the vacuum pipe has a stepped part, connect the vacuum hose to the pipe securely, up to the stepped part, as shown in the figure.

**▶C◀ AIR CLEANER COVER, AIR INTAKE HOSE A INSTALLATION**

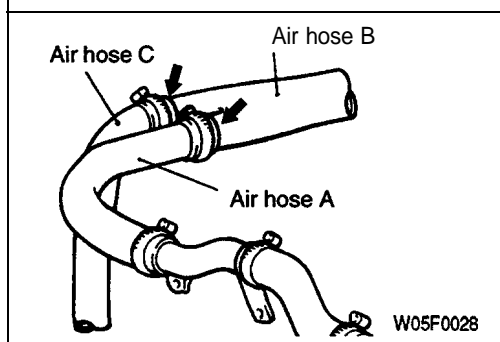
Align slots indicated by arrows in air intake hose A with A markings on air intake hoses B and C; then, insert hoses B and C all the way into air intake hose A. Insert air intake hoses B and C all the way up to the roots on the turbocharger end.

**▶D◀ AIR HOSE A INSTALLATION**

Connect the air hoses ensuring that alignment marks are aligned with projections. Insert air hoses B and C into pipe all the way to its step.

Caution

Be careful not to allow any foreign matter to get into the hoses, pipes, or the intercooler itself.



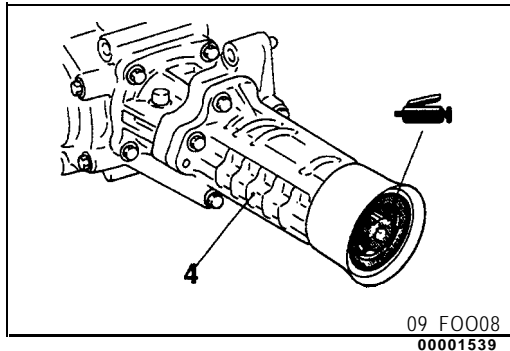
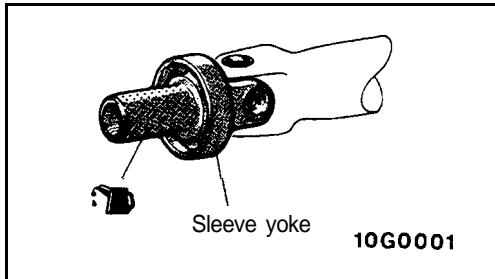
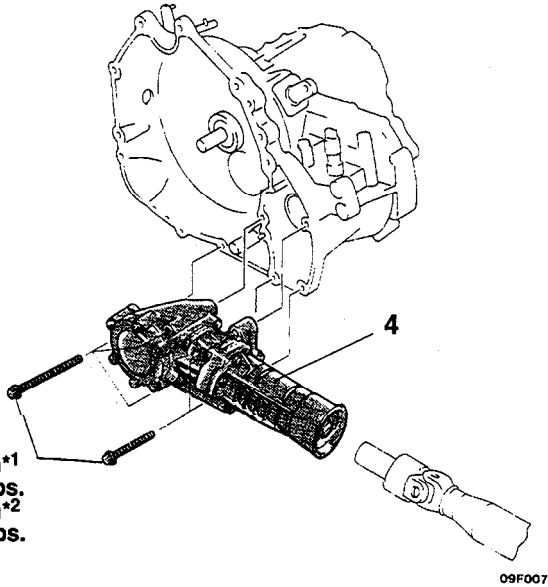
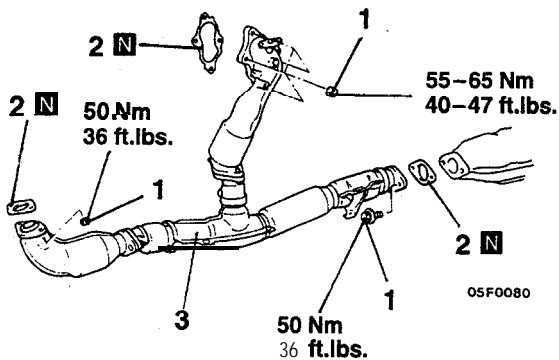
TSB Revision

TRANSFER ASSEMBLY

REMOVAL AND INSTALLATION

Pre-removal and Post-installation Operation

- Transfer Oil Draining and Supplying (Refer to P.22-15.)
- Active Front Venturi Skirt Removal and Installation (Refer to GROUP 51 – Front Bumper.)



Gear oil: Hypoid gear oil, SAE 75W-90 or 75W-85W conforming to API classification GL-4

Removal steps

1. Bolts and nuts
2. Gaskets
3. Warm up catalytic converter and front exhaust pipe
4. Transfer assembly

NOTE

- 1: Up to 1993 models
- 2: From 1994 models

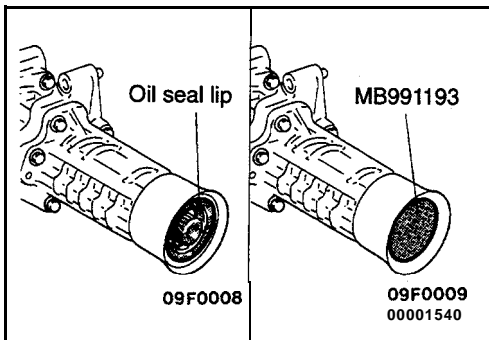


REMOVAL SERVICE POINT

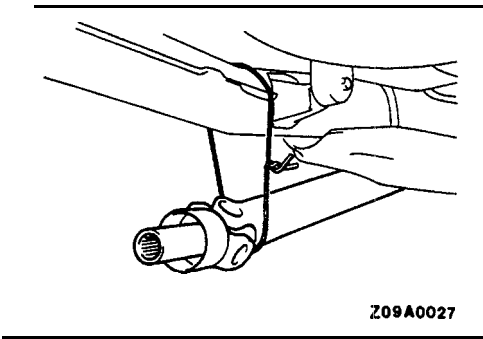
◀▶ **TRANSFER ASSEMBLY REMOVAL**

Caution

1. Be cautious to avoid damaging the transfer oil seal lip.
2. Cover the transfer opening with the special tool to prevent transaxle oil discharge and the entry of foreign objects.



TSB Revision

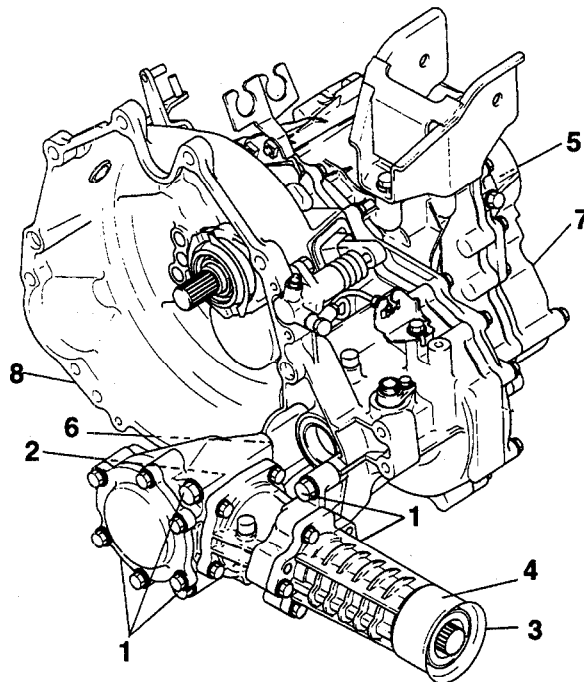


3. The propeller shaft should be suspended so that it is not sharply bent.

TRANSAXLE ASSEMBLY

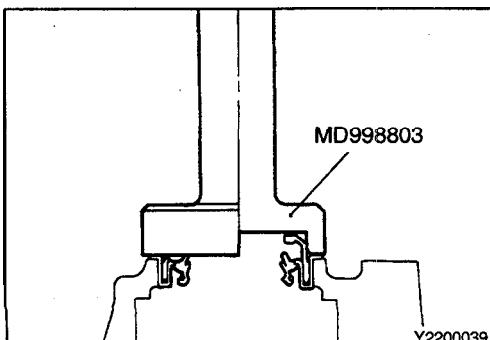
The transaxle cannot be disassembled. If any parts other than describes below are defective, replace the transaxle assembly.

REPLACEMENT PART



ZTFM0157

- | | | | |
|-----|--|-----|------------------------------|
| ▶F◀ | 1. Transfer mounting bolts | ▶D◀ | 5. Input shaft rear seal cap |
| ▶E◀ | 2. Transfer case oil seal | ▶C◀ | 6. Center shaft oil seal |
| | 3. Transfer extension housing oil seal | ▶B◀ | 7. Drive shaft oil seal |
| | 4. Transfer oil seal guide | ▶A◀ | 8. Drive shaft oil seal |

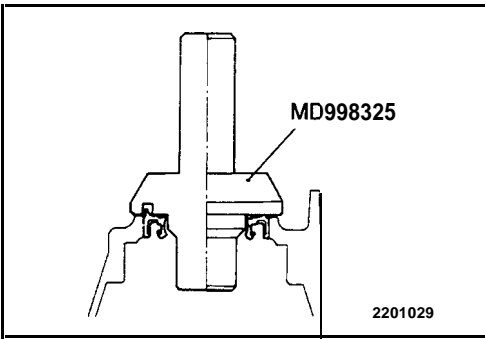


INSTALLATION SERVICE POINTS

▶A◀ DRIVE SHAFT OIL SEAL INSTALLATION

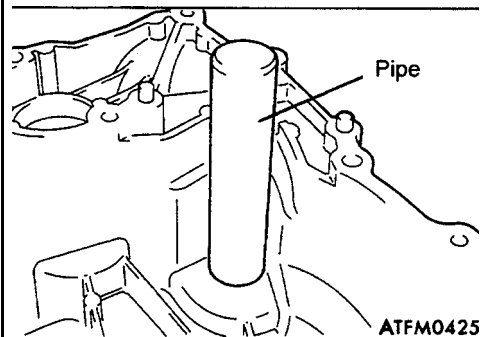
Using the special tool, install the drive shaft oil seal.

TSB Revision



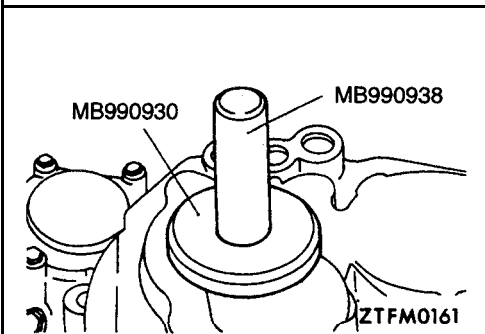
►B◄ DRIVE SHAFT OIL SEAL INSTALLATION

Using the special tool, install the drive shaft oil seal.



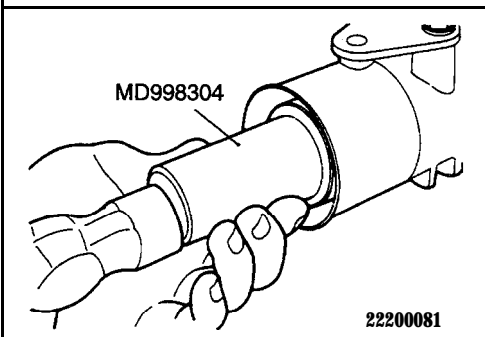
►C◄ CENTER SHAFT OIL SEAL INSTALLATION

Using a pipe shown in the illustration, drive the oil seal until it is flush with the case. Do not drive the oil seal more than necessary.



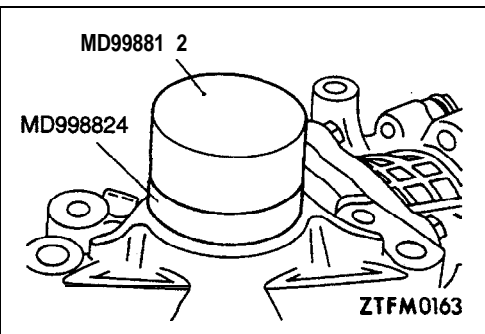
►D◄ INPUT SHAFT REAR SEAL CAP INSTALLATION

Using the special tool, install the input shaft rear seal cap.



►E◄ TRANSFER EXTENSION HOUSING OIL SEAL INSTALLATION

Using the special tool, install the transfer extension housing oil seal.



►F◄ TRANSFER CASE OIL SEAL INSTALLATION

Using the special tool, install the transfer case oil seal.